

4

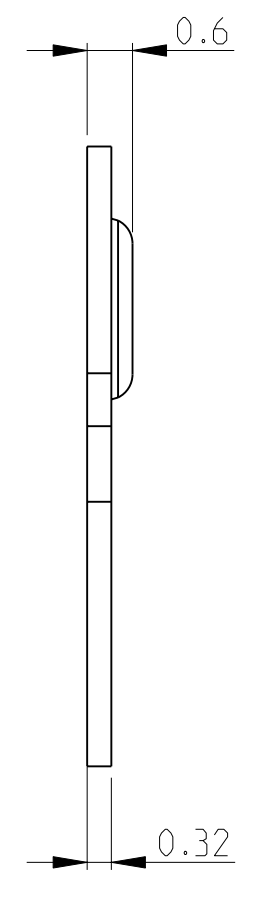
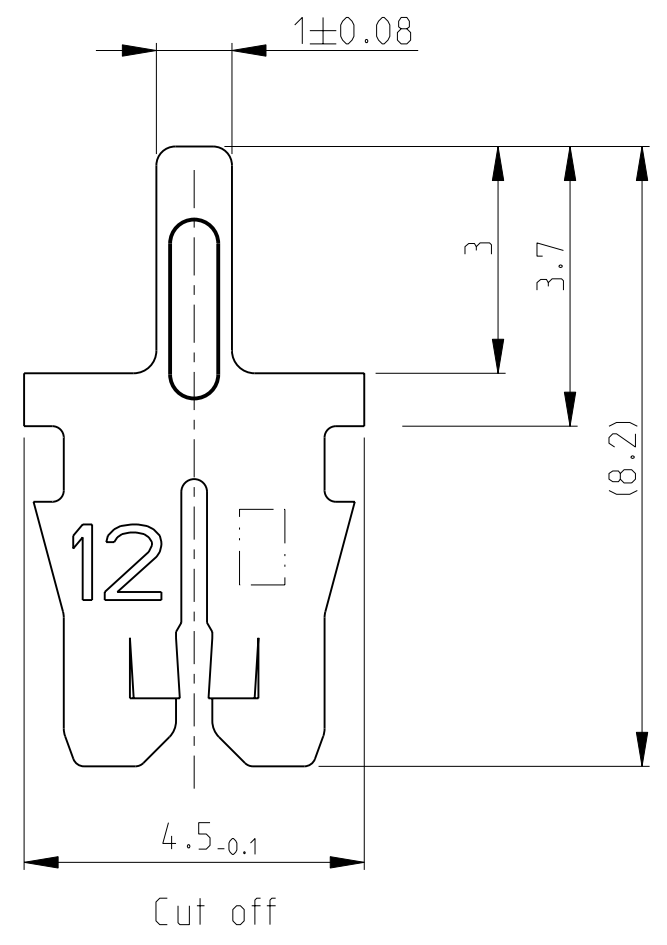
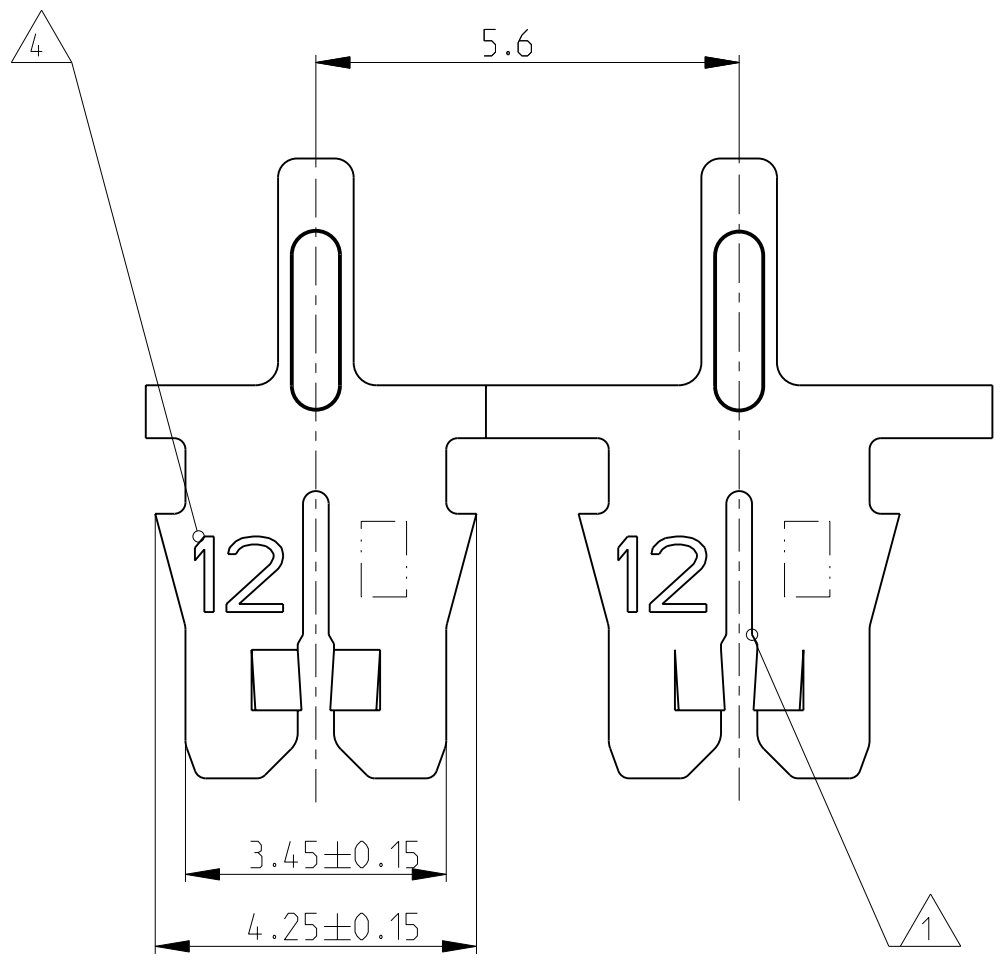
3


2

1

THIS DRAWING IS UNPUBLISHED. RELEASED FOR PUBLICATION
 © COPYRIGHT 2002 ALL RIGHTS RESERVED.

LOC	DIST	REVISIONS			
P	LTR	DESCRIPTION	DATE	DWN	APVD
IR	-	A1	Text hinzu	29JUL2003	Ba. PL.
		A2	RELEASED TO GENERAL SALES	18JUL2011	PKS RRP



THIS DRAWING IS A CONTROLLED DOCUMENT.		DWN	08JAN2002		 TE Connectivity	
DIMENSIONS: mm		CHK	M. Neitzel			
TOLERANCES UNLESS OTHERWISE SPECIFIED:		APVD	H. Ploesser			
0 PLC ±0.2 1 PLC ±0.2 2 PLC ±0.2 3 PLC ±0.2 4 PLC ±0.2 ANGLES ±1°		PRODUCT SPEC	-			
MATERIAL SEE TABLE		FINISH	SEE TABLE		NAME	
		WEIGHT	-		MAG-MATE Kontakt mit Loetpin Baugroesse .300 mod.	
		CUSTOMER DRAWING	SIZE	A3	CAGE CODE	00779
			DRAWING NO	C=1534686		RESTRICTED TO
			SCALE	10:1	SHEET	1 OF 2
					REV	A2

4

3

2

1

THIS DRAWING IS UNPUBLISHED.

RELEASED FOR PUBLICATION

© COPYRIGHT 2002

ALL RIGHTS RESERVED.

LOC

DIST

REVISIONS

A1

-

P

LTR

DESCRIPTION

DATE

DWN

APVD

-

SEE SHEET 1

-

-

-

DIRECTION OFF TOP OF REEL

Bemerkungen:

NOTES:

1 Geeignet fuer Kupferlackdraht
Einzel- $\varnothing 0.40 \dots 0.63\text{mm}$ oder Doppeldraht $\varnothing 0.45 \dots 0.56\text{mm}$
SLOT ACCEPTS:
SINGLE MAGNET WIRE $\varnothing 0.40 \dots 0.63\text{mm}$ DIA
OR DOUBLE MAGNET WIRE $\varnothing 0.40 \dots 0.56\text{mm}$ DIA

2 Anlieferungszustand: Kontakte fortlaufend mit
Papierzwiseilage auf Kunststoffspule aufgewickelt
Max. 5 Splice Stellen pro Spule
Splice Stellen nicht miteinander verbunden
DELIVERY STATE: CONTACTS CONTINUOUS REELED WITH
PAPER INTERLAYER ON PLASTIC-REEL.
MAX. 5 SPLICES PER REEL
SPLICES BE NOT BONDED TOGETHER.

3 Kontaktkammer nach Zeichnung } 411-18516
CAVITY ACCORDING DWG.

4 Kennziffer fuer Drahtgroessenbereich (12)
IDENTIFICATION NO. FOR MAGNET WIRE RANGE (12)

5 Materialdicke } 0.32 ± 0.02
STOCK THICKNESS

10	A	CuNiSi	Ag OVER Ni	1-1534686-8
10	A	CuNiSi	Au OVER Ni	1-1534686-7
10	A	CuNiSi	BLANK	1-1534686-2
10	A	CuSn	PRETINNED	1-1534686-1
9	B	CuNiSi	Ag OVER Ni	1534686-8
9	B	CuNiSi	Au OVER Ni	1534686-7
9	B	CuNiSi	BLANK	1534686-2
9	B	CuSn	PRETINNED	1534686-1
REELING	REV.	5 MATERIAL	SURFACE COLOR	TE PART NO

OBSOLETE

THIS DRAWING IS A CONTROLLED DOCUMENT.		DWN	08JAN2002		 TE Connectivity
DIMENSIONS: mm		CHK	M. Neitzel		
TOLERANCES UNLESS OTHERWISE SPECIFIED:		APVD	H. Ploesser		
		PRODUCT SPEC	-		
MATERIAL SEE TABLE		FINISH	SEE TABLE		NAME
		WEIGHT	-		MAG-MATE Kontakt mit Loetpin Baugroesse .300 mod.
		CUSTOMER DRAWING	SCALE	10:1	RESTRICTED TO
			SIZE	A3	
			CAGE CODE	00779	
			DRAWING NO	1534686	
			SHEET	2	OF
			REV	A2	

1470-19 (3/11)